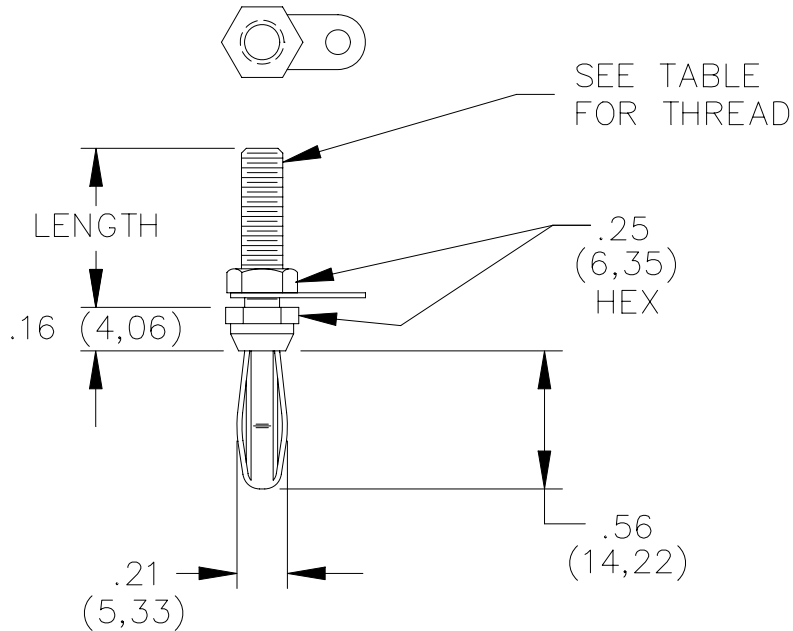


Model, 3263, 3264, 4512 Standard Banana Plug With Threaded Stud and Solder Lug



Model	Length	Thread
3263	.50"	6-32
3264	.50"	8-32
4512	.63"	8-32

FEATURES:

- Threaded stud for rapid mounting.
- Furnished with hex nut and tin plated solder lug.
- Ideal for connecting power supplies or test equipment to prototype circuit boards.
- Mates to Model #1581 or any standard banana jack.

MATERIALS:

Banana plug:

Spring: Beryllium Copper, Berylco 25 per QQ-C-533, Cond. HT.

Plug Body: Brass per QQ-B-626, Alloy 360, ½ Hard Solder lug:

Material: Copper per QQ-C-576.

Finish: Electro-tin plated.

Hex Nut, 8-32:

Material: Brass per QQ-B-626, Composition 22, ½ Hard

Finish: Nickel plated.

RATINGS:

Working Voltage: 5000 VRMS

Current: 15 Amperes

ORDERING INFORMATION: Model 3263

Parts are packaged ten per bag, unassembled.

Model 3264 Parts are packaged ten per bag, unassembled.

Model 4512 Parts are packaged ten per bag, unassembled.

All dimensions are in inches. Tolerances (except noted): .xx = ±.02" (.51 mm), .xxx = ±.005" (.127 mm).

All specifications are to the latest revisions. Specifications are subject to change without notice.

Registered trademarks are the property of their respective companies.

Made in USA